

Leica ScanStation P50/P40/P30 Equipment List



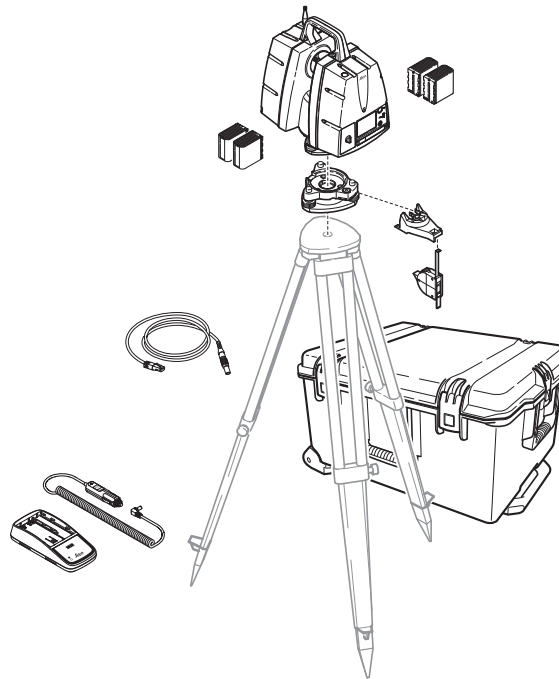
- when it has to be **right**

Leica
Geosystems

Table of Contents

ScanStation P50/P40/P30		3
1	Scanner Set ScanStation P30	3
2	Scanner Set ScanStation P40	4
3	Scanner Set ScanStation P50	5
Accessories for ScanStation P50/P40/P30		6
4	Accessory Set	6
5	Power Supply	6
	5.1 Internal Power Supply	6
	5.2 External Power Supply	6
	5.3 AC Power Supply	6
6	Data Transfer	7
7	Instrument Height Meter	7
8	Tribrachs	7
9	Tripods	7
10	Targets	7
	10.1 Targets	7
	10.2 Target Accessories	7
	10.3 Target Pole	8
	10.4 Magnetic Mount for Targets	8
	10.5 Reflector Carriers	8
	10.6 Adapter	8
11	Reflectors	8
12	GNSS (Global Navigation Satellite System)	9
	12.1 GNSS SmartAntenna	9
	12.2 SmartAntenna Adapter	9
	12.3 Controller for GNSS SmartAntenna	9
13	Additional Containers	9
14	Mounting Adapters	9
15	External Camera Kit	10
16	License Options	10
17	Upgrade Options	10
Suggested Equipment Setups		11
18	Configuration stand alone/internal Battery	11
19	Configuration scan laptop/external Battery	11
20	Configuration stand alone/internal Battery with Reflector on top	12
21	Configuration stand alone/internal Battery with GPS Antenna on top	13
Software and Care Packages		14
22	Software	14
23	Customer Care Packages (CCP)	14
Trademarks & Technical Data		15
24	Trademarks	15
25	Technical Data	15

2 Scanner Set ScanStation P40

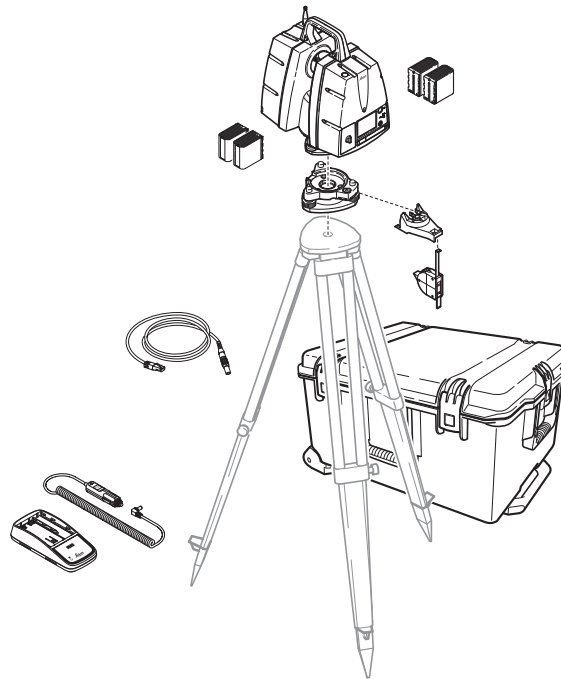


6009377 **P40**

Leica ScanStation P40 Standard Package, consisting of:

- 1x ScanStation P40 Laser scanner (827 494)
 - 1x GVP645 Transport box (769 625)
 - 1x GDF323 Tribrach without optical plummet (777 970)
 - 4x GEB242 Lithium-Ion Battery (793 975)
 - 1x GKL311 Single Charger Prof 3000 (799 185)
 - 1x GEV228 Data cable (766 567)
 - 1x GHM008 Scanner height meter (772 829)
 - 1x GHT196 Distance holder for height meter (722 045)
 - 1x ScanStation P50/P40/P30 Quick Guide
 - 1x ScanStation P50/P40/P30 System USB stick
 - 1 year CCP Basic contract (6009442)
-

3 Scanner Set ScanStation P50



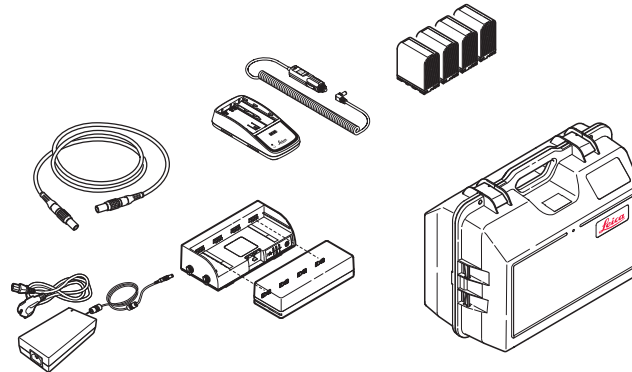
6012700 **P50**

Leica ScanStation P50 Standard Package, consisting of:

- 1x ScanStation P50 Laser scanner (867984)
 - 1x GVP645 Transport box (769 625)
 - 1x GDF323 Tribrach without optical plummet (777 970)
 - 4x GEB242 Lithium-Ion Battery (793 975)
 - 1x GKL311 Single Charger Prof 3000 (799 185)
 - 1x GEV228 Data cable (766 567)
 - 1x GHM008 Scanner height meter (772 829)
 - 1x GHT196 Distance holder for height meter (722 045)
 - 1x ScanStation P50/P40/P30 Quick Guide
 - 1x ScanStation P50/P40/P30 System USB stick
 - 1 year CCP Basic contract (6009442)
-

Accessories for ScanStation P50/P40/P30

4 Accessory Set



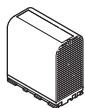
6006980

Leica ScanStation Pxx Accessory Set, consisting of:

- 1x GVP652 Accessory Container (769 626)
- 1x GEB271 External universal battery (766 783)
- 1x GKL271 Charging station for GEB271 (766 784)
- 1x GEV225 AC power supply for GKL271 (767 652)
- 1x GEV259 1.8m power cable (789 617)
- 4x GEB242 Lithium-Ion Battery (793 975)
- 1x GKL311 Single Charger Prof 3000 (799 185)

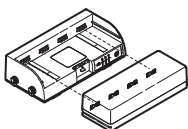
5 Power Supply

5.1 Internal Power Supply



793 975	GEB242	Lithium-Ion battery, 14.8V/5.8Ah, rechargeable.
799 187	GKL341	Charger Prof 5000. Charges up to 4 batteries, including power cable.
734 389	GDC221	Car adapter for the GKL341 charger. Allows the use of the GKL341 with a cigarette lighter; 12V/24V DC/DC converter.
799 185	GKL311	Single Charger Prof 3000. Charger for one Li-Ion battery including AC/DC adapter and car adapter cable.

5.2 External Power Supply



766 783	GEB271	Lithium-Ion, 14.8V, 16.8Ah. Can only be used together with the GKL271 charging station (766 784).
766 784	GKL271	Charging station for the GEB271 external universal battery (766 783), 14.8V/24/36V output power.
767 652	GEV225	AC power supply for the GKL271 charging station (766 784). For indoor use only!
789 617	GEV259	GEV259, 1.8m power cable to connect ScanStation Pxx scanner with GKL271 charging station (766 784).

5.3 AC Power Supply



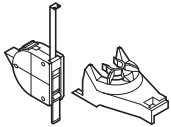
789 618	GKL123	GKL123, AC power supply for the ScanStation Pxx scanner. For indoor use only!
---------	---------------	---

6 Data Transfer



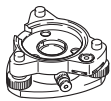
766 567	GEV228	ScanStation Pxx data cable, 2.5m, standard ethernet jack to Lemo (8pin). Connects ScanStation Pxx with computer.
812 212	GEV281	Synchronisation Cable.

7 Instrument Height Meter



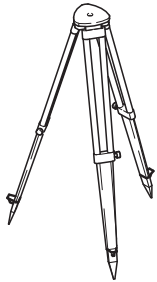
772 829	GHM008	Scanner height meter.
722 045	GHT196	Distance holder for height meter.

8 Tribrachs



777 508	GDF321	Tribrach, without optical plummet, pale green.
777 509	GDF322	Tribrach, with optical plummet, pale green.
777 970	GDF323	Tribrach, without optical plummet, black.

9 Tripods



670 238		Fibreglass tripod with quick clamp.
332 200	GST4	Tripod-star, for setting up tripods on hard and slippery surfaces.

10 Targets

10.1 Targets



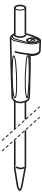
822 694	GZT21	4.5" circular black/white tilt & turn target for ScanStation. Leica standard stub fitting to mount on e.g. GLS12 pole. Centre height at Leica standard reflector height.
6009743		Target package, consisting of: <ul style="list-style-type: none"> • 4x GZT21 Scanning target (822 694) • 4x GAD50 Stub-to-Screw adapter (823 044) • 4x Flat magnet mount (670 229) • 1x GVP703 Soft bag (790 314)

10.2 Target Accessories



670 223		Target tripod.
670 224		Target tripod bag.
790 314	GVP703	Soft bag, for 4.5" circular black/white tilt & turn targets.
667 319		Dual Strut Support. With 2 telescopic legs, for rapid set-up. Suitable for poles of all diameters.

10.3 Target Pole



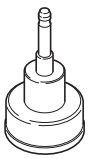
385 500		Reflector pole with stub. Quick release clamp for easy and rapid height adjustment. Graduated in cm and ft, minimum length 1.24 m (4.07 ft), extendible to 2.15 m (7.05 ft), weight 940 g (2.07 lb).
---------	--	--

10.4 Magnetic Mount for Targets



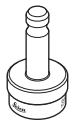
670 228		V-block magnetic mount for targets with 5/8" x 11 threaded post, for mounting on steel pipes.
670 229		Flat magnetic mount for targets with 5/8" x 11 threaded post, for mounting on flat steel surfaces.

10.5 Reflector Carriers



667 313	GRT144	Carrier with stub, pale green.
---------	---------------	--------------------------------

10.6 Adapter



823 044	GAD50	Adapter for mounting reflectors and target plates with stub fitting on 5/8" carriers.
850 569	GAD51	Stub-to-Screw Adapter. In combination with GZT21 and GRT247 the scanner height of 250mm is reached.

11 Reflectors



639 985	GRZ4	360° reflector.
754 384	GRZ122	360° reflector with 5/8" thread.
774 700	GAD111	GAD104-to-Stub adapter. Adapter to mount Leica reflectors on GAD104 Smart-Antenna adapter.
779 082	GAD112	GAD110-to-Stub adapter. Adapter to mount Leica reflectors on GAD110 Smart-Antenna adapter.

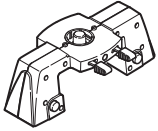
12 GNSS (Global Navigation Satellite System)

12.1 GNSS SmartAntenna



851 142	GS16	Leica GS16 Basic SmartAntenna.
---------	-------------	--------------------------------

12.2 SmartAntenna Adapter




767 802	GAD110	SmartAntenna adapter to mount GS16 SmartAntenna.
---------	---------------	--

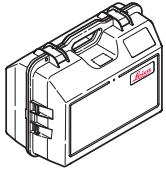
12.3 Controller for GNSS SmartAntenna



823 165	CS20 3.75G	CS20 3.75G Field Controller Ruggedized WinEC7 field controller with 5" WVGA touch display, 2 GB eMMC Flash Memory, 1 GB SDRAM, SD card slot, 5MP camera and LED flash. Includes internal Bluetooth/WLAN module, 3.75G GSM/UMTS module, internal TS communication module, QWERTY keypad, stylus.
---------	-------------------	--

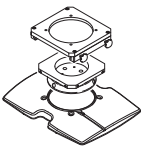
 For details about additional required products and accessories to use the GNSS option or other antenna and controller configurations please refer to the Leica Viva GNSS or Leica Viva TPS equipment lists.

13 Additional Containers

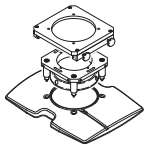


769 625	GVP645	ScanStation Pxx transport container.
769 626	GVP652	ScanStation Pxx accessory container.
805 221	GVP710	Transport box light for ScanStation Cxx/Pxx. Note: For careful transportation only. Not designed for substantial shipping!

14 Mounting Adapters

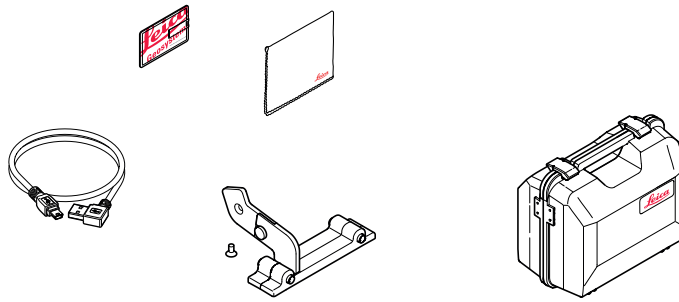


6007705	Upside Down Adapter Set, consisting of: <ul style="list-style-type: none"> • 1x Upside Down Mounting Plate (799 138) • 1x Upside Down Mounting Adapter (799 724) • 1x Water cover (798 536)
---------	--




6007742	2D Profiling Adapter Set, consisting of: <ul style="list-style-type: none"> • 1x Upside Down Mounting Plate (799 138) • 1x 2D Profiling Scanner Adapter (799 729) • 1x Water cover (798 536)
---------	---

15 External Camera Kit





6009173	External camera kit for ScanStation Pxx	<p>External camera kit for ScanStation Pxx, consisting of:</p> <ul style="list-style-type: none"> • 1x Transport box for Canon EOS 60D/70D/80D camera (780 900) • 1x Bracket for Canon EOS 60D/70D/80D camera (795 373) • 1x USB cable for Canon EOS 60D/70D/80D camera (795 668) • 1x ScanStation Pxx System USB card
---------	--	--

 Does not include Canon EOS 60D/70D/80D camera and fish eye lens!
Does not include license for ScanStation Pxx external camera option (822 999).

16 License Options

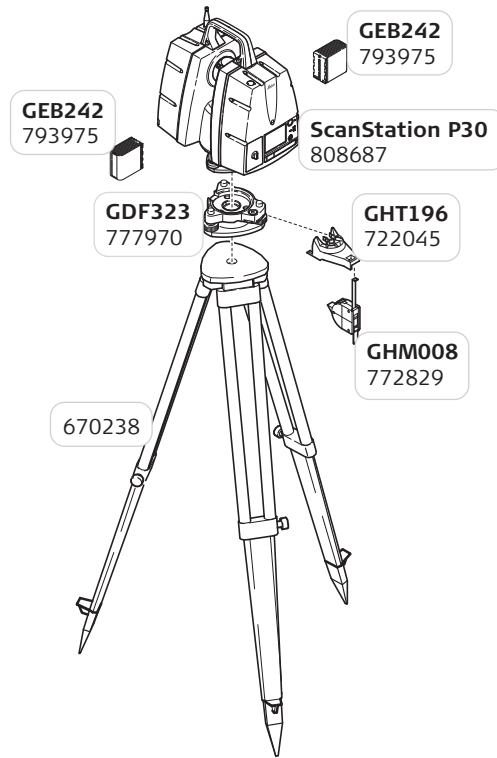
807 280	API Data Access Option. Enables access to ScanStation Pxx 3D point cloud data in 3rd party software packages.
822 999	ScanStation Pxx external camera option.

17 Upgrade Options

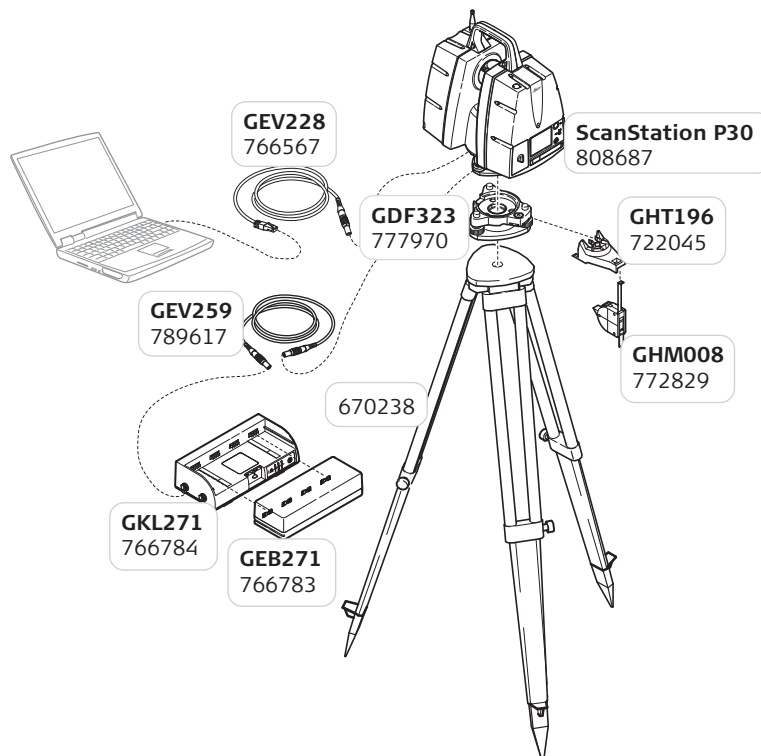
865 023	<p>Upgrade of Leica ScanStation P30 to Leica ScanStation P40.</p> <p> This upgrade can only be done in selected Leica Service Workshops.</p>
868 266	<p>Upgrade of Leica ScanStation P40 to Leica ScanStation P50.</p> <p> This upgrade can only be done in selected Leica Service Workshops.</p>

Suggested Equipment Setups

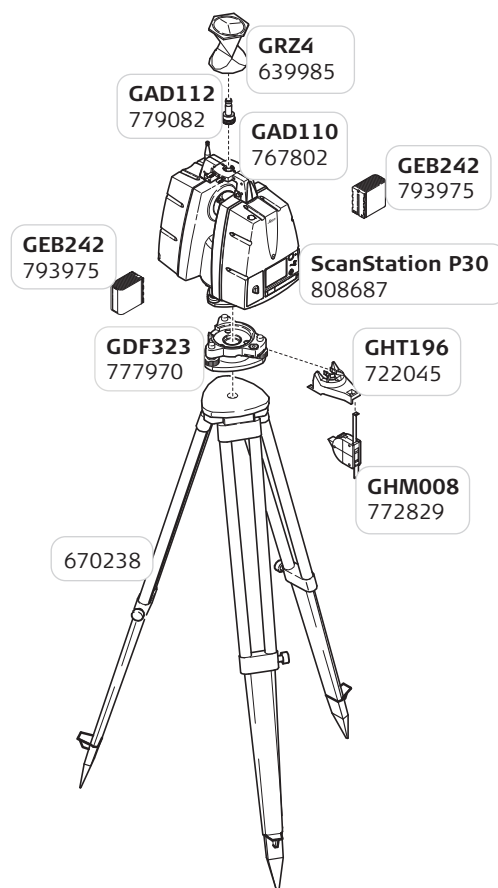
18 Configuration stand alone/internal Battery



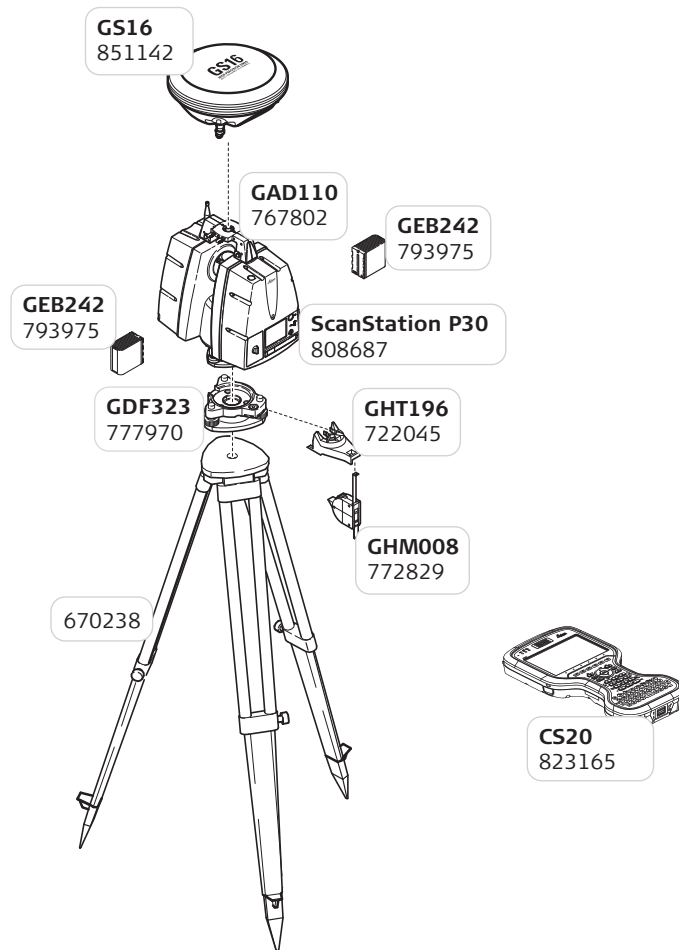
19 Configuration scan laptop/external Battery




20 Configuration stand alone/internal Battery with Reflector on top



21 Configuration stand alone/internal Battery with GPS Antenna on top



 For details about additional required products and accessories to use the GNSS option or other antenna and controller configurations please refer to the Leica Viva GNSS or Leica Viva TPS equipment lists.

Software and Care Packages

22 Software

807 280	API Data Access Option. Enables access to ScanStation Pxx 3D point cloud data in 3rd party software packages.
---------	--

23 Customer Care Packages (CCP)

The ScanStation P30 standard package (6009376), the ScanStation P40 standard package (6009377) and the ScanStation P50 standard package (6012700) include a 1 year CCP Basic contract. Multi-Year CCP contracts are available for ScanStation P30, ScanStation P40 and ScanStation P50, but can only be ordered with the initial purchase of an instrument.



6009443	2 year CCP Basic.
6009444	3 year CCP Basic.



6009445	1st year CCP Blue.
6009446	2 year CCP Blue.
6009447	3 year CCP Blue.



6009448	2 year CCP Bronze.
6009449	3 year CCP Bronze.



6009451	1st year CCP Silver.
6009452	2 year CCP Silver.
6009453	3 year CCP Silver.



6009455	1st year CCP Gold.
6009456	2 year CCP Gold.
6009457	3 year CCP Gold.

	Customer Support	Firmware/ Software Maintenance	Extended Warranty	Hardware Maintenance incl. Calibration	Loaner Instrument
Basic	✓	✓			
Blue	✓	✓		✓	
Bronze	✓	✓	✓		
Silver	✓	✓	✓	✓	
Gold	✓	✓	✓	✓	✓

For further details about HDS Customer Care Packages refer to document 767 474 (Active Customer Care - Leica Customer Care Packages for HDS Hardware and Software).

Trademarks & Technical Data

24 Trademarks

The *Bluetooth*® word mark and logos are owned by Bluetooth SIG, Inc. and any use of such marks by Leica Geosystems AG is under license.
Other trademarks and trade names are those of their respective owners.

25 Technical Data

Laser plummet:

LED class 1 in accordance with IEC 60825-1 resp. EN 60825-1

Scanner:

Laser class 1 in accordance with IEC 60825-1 resp. EN 60825-1



Whether you're designing a modification to a complex refinery piping system, surveying a site or documenting a historic building, you need reliable measurements. High-Definition Surveying scanning systems and software by Leica Geosystems provide you with exact data of what's there.

When your as-built information has to be right, rely on Leica Geosystems, the company that professionals trust for their scanning solutions. Leica Geosystems is best known for pioneering scanning technology with trustworthy, total solutions: versatile, accurate laser scanners, industry standard point cloud software, and a full complement of accessories, training and support.

Precision, quality and service from Leica Geosystems.

When it has to be right.

Illustrations, descriptions and technical specifications are not binding and may change.
Printed in Switzerland - Copyright Leica Geosystems AG, Heerbrugg, Switzerland, 2015.
829112-2.0.0en - X1.17